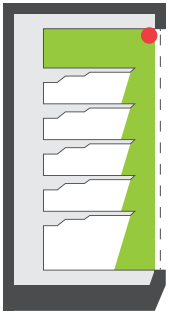


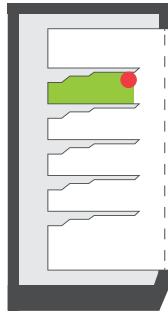
# LCR-Series

## Installation manual

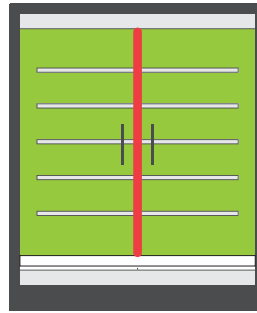
LCR-C / CD



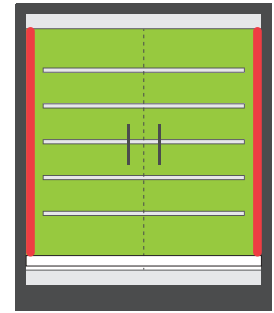
LCR-H



LCR-VC



LCR-VLR

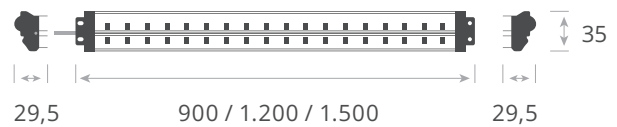


LCR-H (Horizontal)	Shelf / Handrail
LCR-V (Vertikal)	Door frame lighting
LCR-C (Canopy)	Top shelf
LCR-CD (Canopy - Double beam)	Top front / Top shelf
Operating voltage	24 V DC
Luminaire type	Refrigeration lighting
Colour Consistency	3 SDCM
Lifetime	L80 B10 50.000 h @ 10°C
Ambient temperature ta	-30°C to +10°C
Material	PC / Aluminium
Cascading	LCR-H asym L300 = max. 15 pcs. LCR-H asym L900 = max. 7 pcs. LCR-H asym L1200 = max. 5 pcs.

LCR-C



LCR-CD



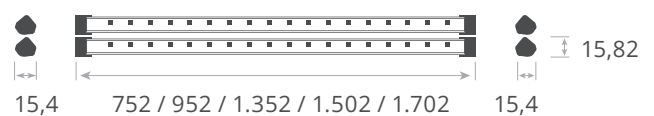
LCR-H



LCR-VLR



LCR-VC



You will find the explanation of symbols at the end of the document under "Notes luminaire"

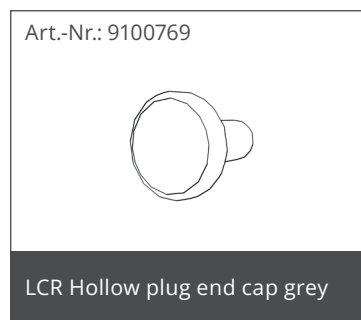
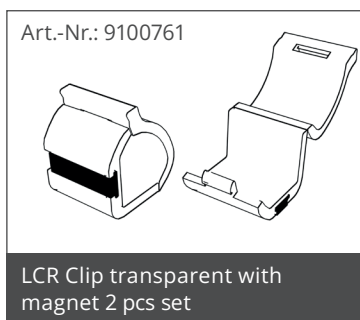
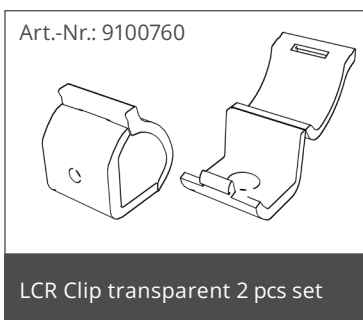
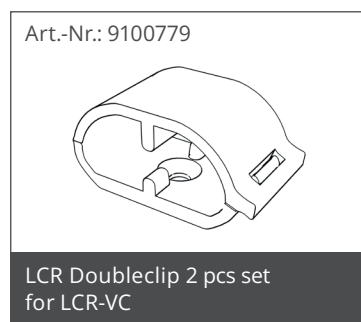
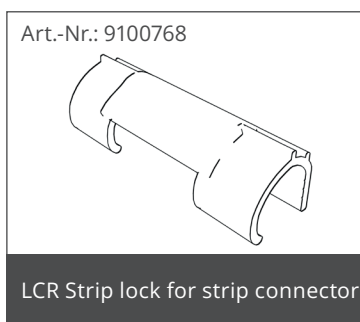
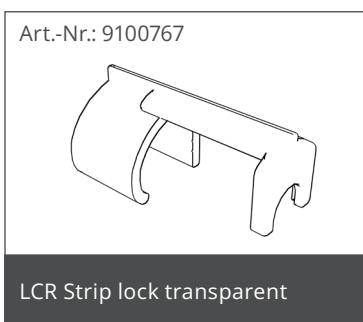
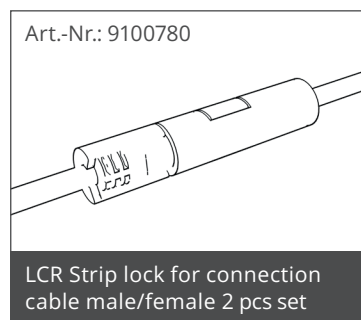
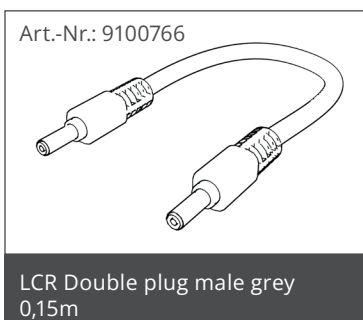
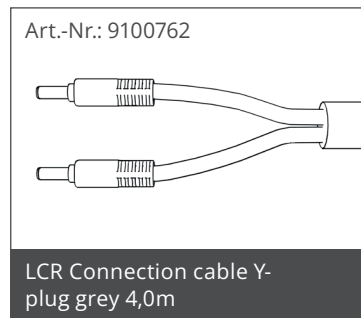
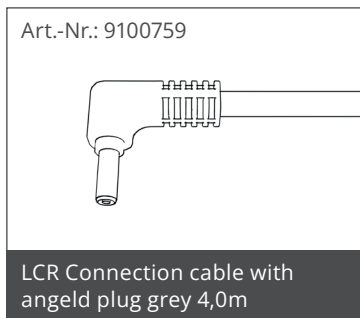
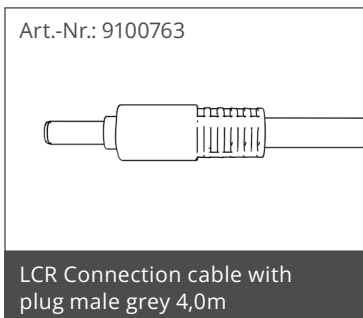
dimensions in mm

Technical changes reserved. 02/2025

# LCR-Series

## Accessories

Item Number	Article description
9100758	LCR-CD Connection cable 4,0 m
9100764	LCR Connection cable female grey 4,0m

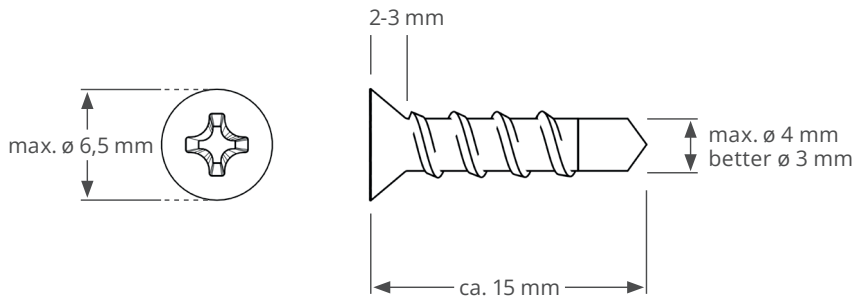


Technical changes reserved. 02/2025

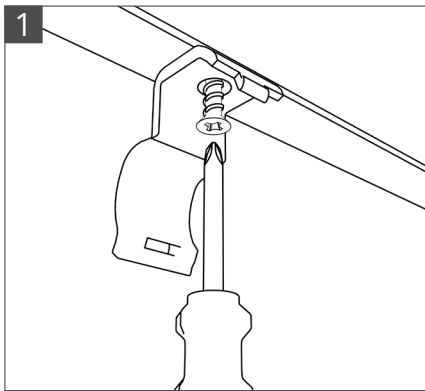
# LCR-Series

## Assembly

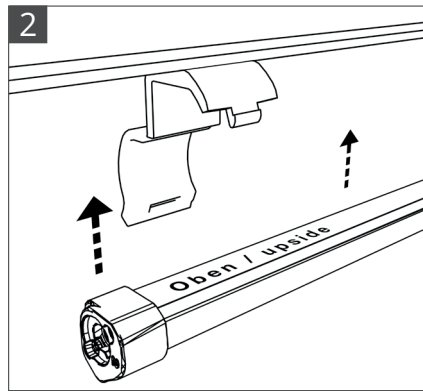
Screw Recommendation: Countersunk head with drill point



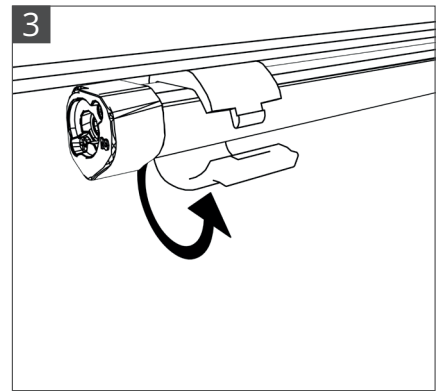
### A. Mounting with screw clip: LCR-C | LCR-H | LCR-VLR



1. Before using the recommended screws, make sure that no cables or wires in the cooling unit can be damaged.

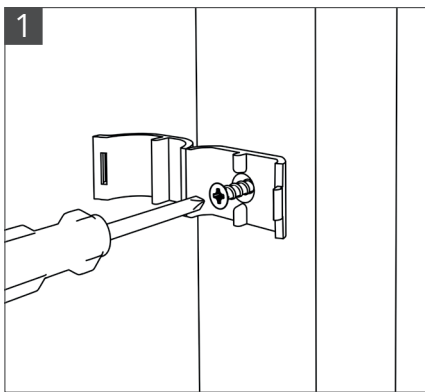


2. The correct positioning of the strips is supported by the mounting symbols Oben / upside or Rückseite / back side are used to support the correct positioning of the strips. The drill hole or magnet must always be on the surface of the mounting symbols.

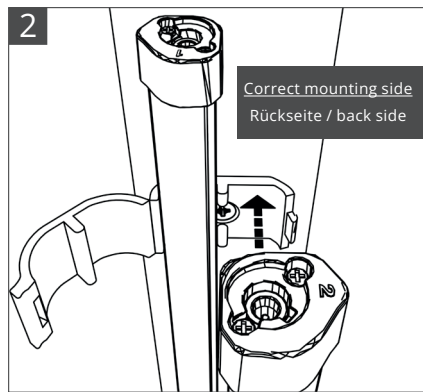


3. Close the screw clip. If the screw clip cannot be closed comfortably, please check whether the bars have been inserted correctly as described in Fig. 2.

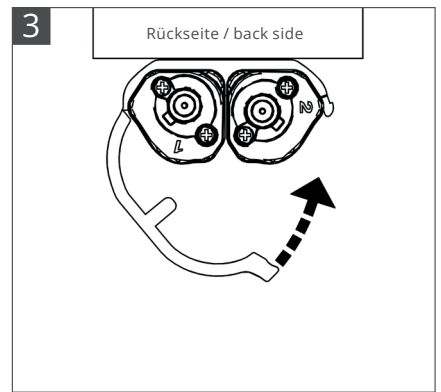
### B. Mounting with double clip: LCR-VC = 2pc LCR-VLR



1. Before using the recommended screws, make sure that no cables or wires in the cooling unit can be damaged.



2. When mounting the LCR-VC, make sure that the mounting symbols Rückseite / back side are attached to the side of the door web.

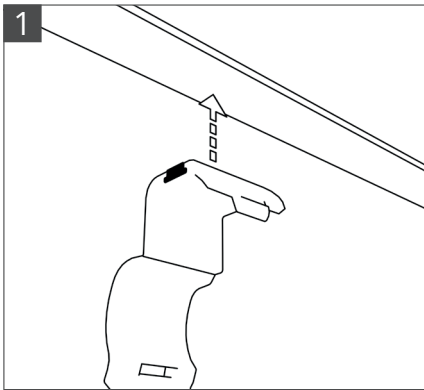


3. Close the double clip. If the clip does not close comfortably, please check whether the bars have been inserted correctly as described in Fig. 2.

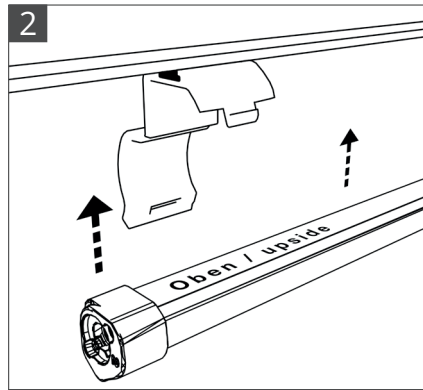
# LCR-Series

## Assembly

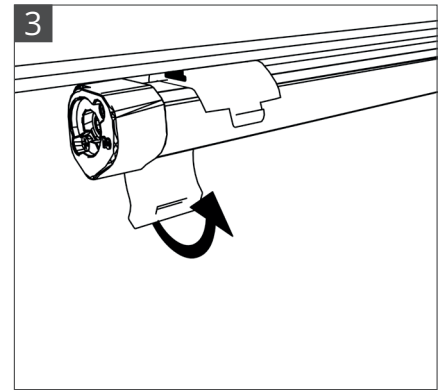
### C. Mounting with magnet clip: LCR-C | LCR-H asym



1. Attach the magnetic clip to the metal end position provided.



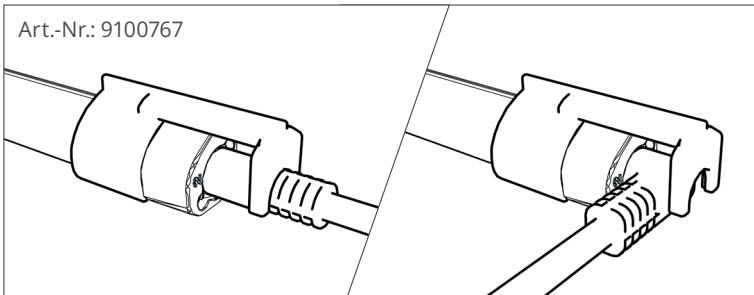
2. The correct positioning of the strips is supported by the mounting symbols Oben / upside or Rückseite / back side are used to support the correct positioning of the strips. The magnet must always be on the surface of the mounting symbols.



3. Close the magnetic clip. If the magnetic clip does not close comfortably, please check whether the bars have been inserted correctly as described in Fig. 2.

### D. Plug locking

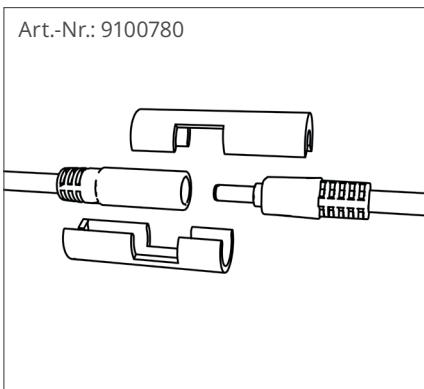
LCR-C | LCR-H asym | LCR-VLR | LCR-VC



The connector locking is for all LCR types (except LCR-CD). Always one plug locking per feed.

### E. Plug locking

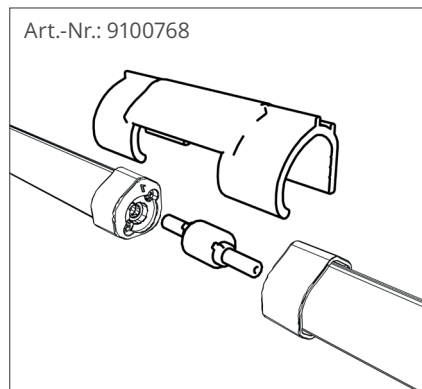
LCR-CD



The plug locking is only for LCR-CD. Always use one connector (set of 2) must always be used for each supply.

### F. Strip connector

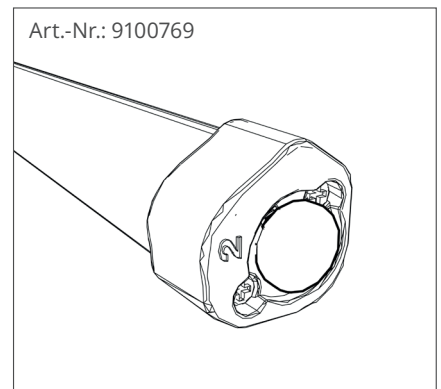
LCR-H asym



The strip connector with the strip interlock is designed for cascading the LCR-H asym.

### G. Hollow bush protection cap

LCR-C | LCR-H asym | LCR-VLR | LCR-VC



Hollow socket protection cap is required to ensure IP protection of the non-powered side. 1 piece is included in each strip.

# LCR-Series

## LCR-C

Item number	Productcode	Power	Luminous flux
9100770	LCR-L900-940-C	6,3 W	880 lm
9100771	LCR-L900-957-C	6,3 W	880 lm
9100772	LCR-L900-FM-C	6,3 W	620 lm
9100773	LCR-L1200-940-C	8,4 W	1170 lm
9100774	LCR-L1200-957-C	8,4 W	1170 lm
9100775	LCR-L1200-FM-C	8,4 W	820 lm
9100776	LCR-L1500-940-C	10,5 W	1470 lm
9100777	LCR-L1500-957-C	10,5 W	1470 lm
9100778	LCR-L1500-FM-C	10,5 W	980 lm

## LCR-VC

Item number	Productcode	Power	Luminous flux
9100722	LCR-L750-940-VC*	15 W	1575 lm
9100723	LCR-L750-957-VC*	15 W	1575 lm
9100724	LCR-L750-FM-VC*	15 W	1350 lm
9100752	LCR-L950-940-VC*	19 W	2010 lm
9100753	LCR-L950-957-VC*	19 W	2010 lm
9100754	LCR-L950-FM-VC*	19 W	1710 lm
9100755	LCR-L1350-940-VC*	27 W	2835 lm
9100756	LCR-L1350-957-VC*	27 W	2835 lm
9100757	LCR-L1350-FM-VC*	27 W	2430 lm
9100725	LCR-L1500-940-VC*	30 W	3150 lm
9100726	LCR-L1500-957-VC*	30 W	3150 lm
9100727	LCR-L1500-FM-VC*	30 W	2700 lm
9100728	LCR-L1700-940-VC*	34 W	3570 lm
9100729	LCR-L1700-957-VC*	34 W	3570 lm
9100730	LCR-L1700-FM-VC*	34 W	3060 lm

## LCR-H asym

Item number	Productcode	Power	Luminous flux
9100686	LCR-L300-940-ASYM	2,1 W	243 lm
9100687	LCR-L300-957-ASYM	2,1 W	243 lm
9100688	LCR-L300-FM-ASYM	2,1 W	189 lm
9100689	LCR-L900-940-ASYM	6,3 W	730 lm
9100690	LCR-L900-957-ASYM	6,3 W	730 lm
9100691	LCR-L900-FM-ASYM	6,3 W	568 lm
9100692	LCR-L1200-940-ASYM	8,4 W	975 lm
9100693	LCR-L1200-957-ASYM	8,4 W	975 lm
9100694	LCR-L1200-FM-ASYM	8,4 W	757 lm

## LCR-CD

Item number	Productcode	Power	Luminous flux
9100677	LCR-L900-940-CD	15 W	1665 lm
9100678	LCR-L900-957-CD	15 W	1665 lm
9100679	LCR-L900-FM-CD	15 W	1355 lm
9100680	LCR-L1200-940-CD	20 W	2220 lm
9100681	LCR-L1200-957-CD	20 W	2220 lm
9100682	LCR-L1200-FM-CD	20 W	1895 lm
9100683	LCR-L1500-940-CD	28 W	3108 lm
9100684	LCR-L1500-957-CD	28 W	3108 lm
9100685	LCR-L1500-FM-CD	28 W	2720 lm

## LCR-VLR

Item number	Productcode	Power	Luminous flux
9100698	LCR-L750-940-VLR	7,5 W	788 lm
9100699	LCR-L750-957-VLR	7,5 W	788 lm
9100700	LCR-L750-FM-VLR	7,5 W	675 lm
9100740	LCR-L950-940-VLR	9,5 W	1005 lm
9100741	LCR-L950-957-VLR	9,5 W	1005 lm
9100742	LCR-L950-FM-VLR	9,5 W	855 lm
9100743	LCR-L1350-940-VLR	13,5 W	1420 lm
9100744	LCR-L1350-957-VLR	13,5 W	1420 lm
9100745	LCR-L1350-FM-VLR	13,5 W	1215 lm
9100701	LCR-L1500-940-VLR	15 W	1575 lm
9100702	LCR-L1500-957-VLR	15 W	1575 lm
9100703	LCR-L1500-FM-VLR	15 W	1350 lm
9100704	LCR-L1700-940-VLR	17 W	1785 lm
9100705	LCR-L1700-957-VLR	17 W	1785 lm
9100706	LCR-L1700-FM-VLR	17 W	1530 lm

# LCR-Series

## Notes



EN Attention. Electrostatic sensitive device.

Notes Luminaire:

The LCR product series is used for the illumination of refrigerators. The installation of the light may only be carried out by an approved electrician.

Only certified LED drivers according to EN 61347-2-13:2014+A1:2017 may be used.

If the LED driver has a lower protection class (e.g. IP20) than the lamp (IP65), please make sure that the power supplies are installed on the refrigerated counters according to the standards.

The light source of this lamp is not exchangeable! When the light source has reached the end of its life, the entire lamp must be replaced. Before electrical installation, maintenance or cleaning, the circuit must be disconnected from the mains and secured against being switched on again.

To clean the lamp, please use a soft, dry cloth without detergent. To remove stubborn stains, use a slightly damp cloth if necessary. Never use abrasive or corrosive materials.

Note on screws: The screws shown are recommendations. Before installation, please make sure that the recommended sizes and lengths can be fitted in the respective installation situation without causing damage to the refrigeration units or cables.



The IP65 marking is an indication of the degree of protection of an electrical device 6: Protection against contact, protection against dust ingress 5: Protection against water jets from any direction.



Protection class III luminaires.



By CE marking, the manufacturer declares that the product complies with the applicable requirements specified in the harmonization legislation of the European Union.



This symbol indicates that the marked device is not to be disposed of in normal household waste, but must be collected separately.



for use as refrigerator lighting.

24 V  24 volts DC.

t<sub>a</sub>: maximum permissible ambient temperature -30°C to +10°C.