

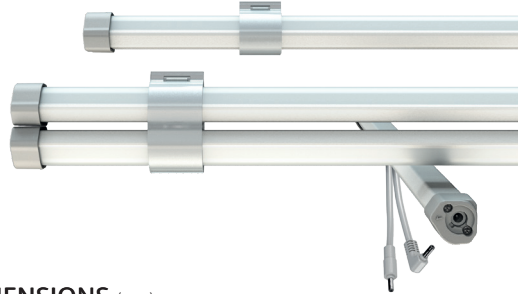
TECHNICAL DATA

Power	2,1 - 8,4 W
Operating voltage	24 V DC
Type of luminaire	light strip
LED Type	SMD
Control	PWM
Light efficiency	up to 117 lm/W
Colour consistency	SDCM3
Lifetime	L80 B10 50.000 h @ 10°C
Ambient temperature	-30°C to +10°C
Material	aluminium/PC
Cascading	yes
Warranty	5 years
Scope of delivery	incl. 1 pc Hollow plug end cap

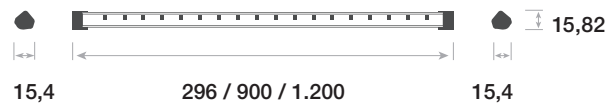


5 YEARS
WARRANTY

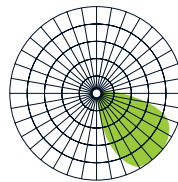
TYPES



DIMENSIONS (mm)



BEAM ANGLE



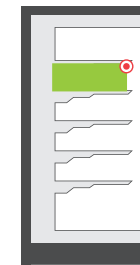
HIGHLIGHTS

- cost effective retrofit system
- especially for refrigerated cabinets -30° to +10° (IP 65)
- flexible integration with multiple accessories
- brilliant light with CRI 90
- installation: via magnet or screw clip
- splash water protected socket connectors (both sides)

APPLICATIONS LCR-H

Mounting at the bottom of the shelf, for illumination of the shelves.

- Refrigerated multideck cabinet (open / closed)
- Freezer and Combi Freezer
- Semi-verticals



Attachment to the handrail or to the tub

STANDARDS LCR-SERIES

IEC 60598-1-2014

IEC 60598-1-2014/AMD1:2017

IEC 60598-2-1-2020

IEC 60335-1-2010

IEC 60335-1-2010/AMD1:2013

IEC 60335-1-2010/AMD2:2016

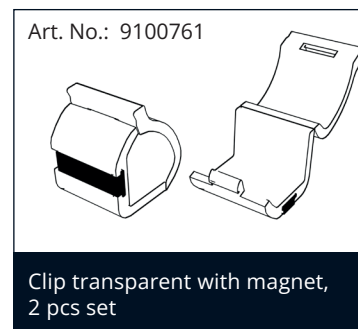
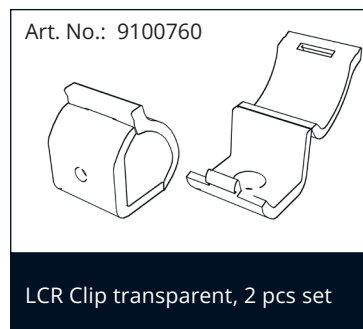
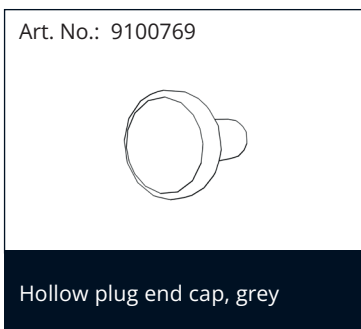
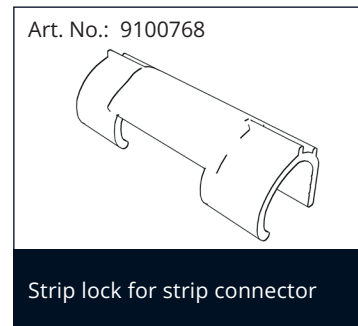
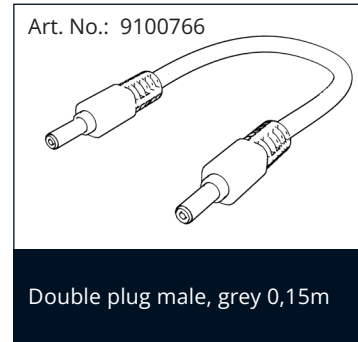
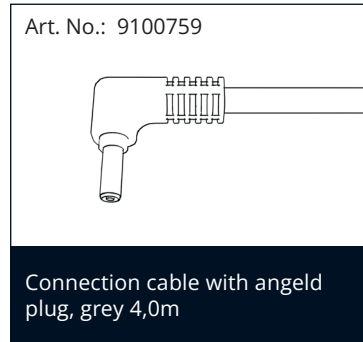
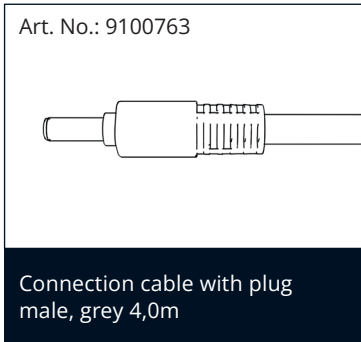
IEC 60335-2-89:2010

IEC 60335-2-89:2010/AMD1:2012

IEC 60335-2-89:2010/AMD2:2015

Item number	Productcode	Power	Light colour Ledxon	CRI	Luminous flux	Beam characteristic	Length	Cascading
9100686	LCR-L300-940-ASYM	2,1 W	4000 K	90	243 lm	Shelf / Handrail	296 mm	15
9100687	LCR-L300-957-ASYM	2,1 W	5700 K	90	243 lm	Shelf / Handrail	296 mm	15
9100688	LCR-L300-FM-ASYM	2,1 W	Fresh meat	90	189 lm	Shelf / Handrail	296 mm	15
9100689	LCR-L900-940-ASYM	6,3 W	4000 K	90	730 lm	Shelf / Handrail	900 mm	7
9100690	LCR-L900-957-ASYM	6,3 W	5700 K	90	730 lm	Shelf / Handrail	900 mm	7
9100691	LCR-L900-FM-ASYM	6,3 W	Fresh meat	90	568 lm	Shelf / Handrail	900 mm	7
9100692	LCR-L1200-940-ASYM	8,4 W	4000 K	90	975 lm	Shelf / Handrail	1200 mm	5
9100693	LCR-L1200-957-ASYM	8,4 W	5700 K	90	975 lm	Shelf / Handrail	1200 mm	5
9100694	LCR-L1200-FM-ASYM	8,4 W	Fresh meat	90	757 lm	Shelf / Handrail	1200 mm	5

ACCESSORIES



Item description	Item number
Connection cable plug male, grey 4,0m	9100763
Connection cable angled plug, grey 4,0m	9100759
Double plug male, grey 0,15m	9100766
Strip connector, grey	9100765
Strip lock for Strip connector	9100768
Strip lock (plug), transparent	9100767
Hollow plug end cap, grey	9100769
Clip transparent, 2 pcs set	9100760
Clip transparent with magnet, 2 pcs set	9100761

IMPORTANT NOTES

All technical parameters apply to the entire product. Due to the complex manufacturing process of light emitting diodes, the specified typical LED parameters are only purely statistical values and may deviate.

The specified type of use must be strictly adhered to. Deviations may affect the stability of the fixture. Please observe the information in the mounting instructions before using the products.

Mercury content	0,0 mg
Mercury-free	yes
Professional disposal according to WEEE	yes

NOTES TO THE LIFE TIME

Decisive factors for the life time are the ambient temperature and the operating temperature (Tc). Exceeding the permissible limits results in a substantial reduction of the lifetime and can even lead to the destruction of the products. The specified lifetime represents a statistical quantity.

NOTES TO ELECTRICAL AND PHOTOMETRIC DATA

Colour coordinates according to CIE 1931
 Rated ambient temperature: $t_a = 25^\circ$
 Measuring tolerance colour coordinates (x/y) +/- 0,005
 Tolerance range of electrical / photometric data: +/- 10%

DISCLAIMER

Changes and errors excepted. Due to the continuous development of all products, technical and design changes can occur at any time. Make sure that you always use the latest version of the data sheet.

Further product data as well as current information can be found at www.lxpro.pl

5 YEARS
WARRANTY

