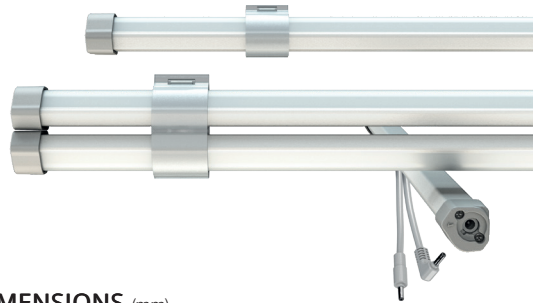


TECHNICAL DATA

| | |
|---------------------|--------------------------------|
| Power | 16,5 W |
| Operating voltage | 24 V DC |
| Type of luminaire | Light strip |
| LED Type | SMD |
| Control | PWM |
| Light efficiency | up to 105 lm/W |
| Colour consistency | SDCM3 |
| Lifetime | L80 B10 50.000 h @ 10°C |
| Ambient temperature | -30°C to +10°C |
| Material | PC/Aluminium |
| Cascading | no |
| Warranty | 5 years |
| Scope of delivery | incl. 1 pc Hollow plug end cap |



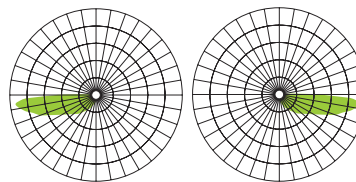
TYPES



DIMENSIONS (mm)



BEAM ANGLE



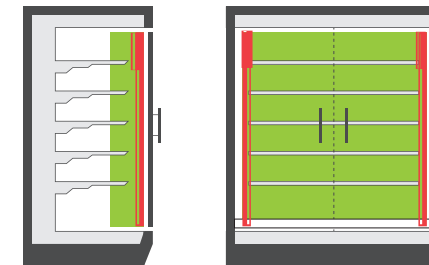
HIGHLIGHTS

- Homogeneous light distribution
- Specially designed for refrigerated cabinets from -30°C to +10°C (IP 65)
- Flexible integration through a variety of accessories
- Brilliant light with CRI 90
- Installation: screw clip
- Splash-proof plug connectors (on both sides)
- 30% increased light output in the upper part of the light strip, allowing for use without additional canopy lighting

APPLICATIONS LCR-VLR-Topper

Attachment to the door web (left or right), for illumination of the goods front, without canopy lighting

- Refrigerated multideck cabinet (closed)
- Freezer
- Combi freezer

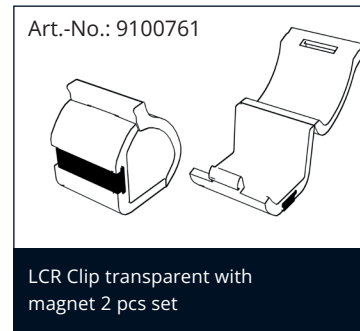
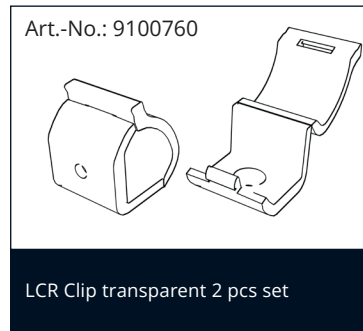
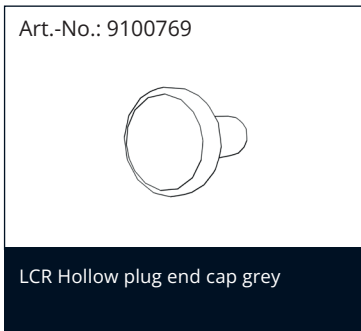
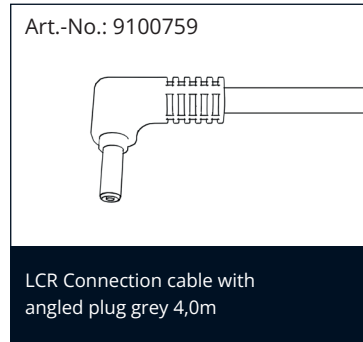
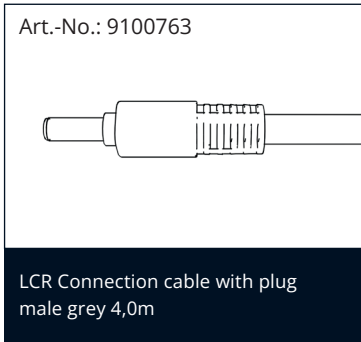


STANDARDS LCR-SERIES

| |
|-------------------------------|
| IEC 60598-1-2014 |
| IEC 60598-1-2014/AMD1:2017 |
| IEC 60598-2-1-2020 |
| IEC 60335-1-2010 |
| IEC 60335-1-2010/AMD1:2013 |
| IEC 60335-1-2010/AMD2:2016 |
| IEC 60335-2-89:2010 |
| IEC 60335-2-89:2010/AMD1:2012 |
| IEC 60335-2-89:2010/AMD2:2015 |

| Item number | Product code | Power | Light colour | CRI | Luminous flux | Beam characteristics | Length |
|-------------|---------------------|--------|--------------|-----|---------------|----------------------|---------|
| 6200192 | LCR-L1500-VL-Topper | 16,5 W | 3000 K | 90 | 1730 lm | Door frame | 1502 mm |
| 6200193 | LCR-L1500-VL-Topper | 16,5 W | 4000 K | 90 | 1730 lm | Door frame | 1502 mm |
| 6200194 | LCR-L1500-VL-Topper | 16,5 W | 5700 K | 90 | 1730 lm | Door frame | 1502 mm |
| 6200195 | LCR-L1500-VL-Topper | 16,5 W | Fresh meat | 90 | 1730 lm | Door frame | 1502 mm |
| 6200199 | LCR-L1500-VR-Topper | 16,5 W | 3000 K | 90 | 1730 lm | Door frame | 1502 mm |
| 6200200 | LCR-L1500-VR-Topper | 16,5 W | 4000 K | 90 | 1730 lm | Door frame | 1502 mm |
| 6200201 | LCR-L1500-VR-Topper | 16,5 W | 5700 K | 90 | 1730 lm | Door frame | 1502 mm |
| 6200202 | LCR-L1500-VR-Topper | 16,5 W | Fresh meat | 90 | 1730 lm | Door frame | 1502 mm |

ACCESSORIES



| Item description | Part number |
|---|-------------|
| LCR Connection cable plug male grey 4,0m | 9100763 |
| LCR Connection cable with angled plug grey 4,0m | 9100759 |
| LCR Strip lock transparent | 9100767 |
| LCR Hollow plug end cap grey | 9100769 |
| LCR Clip transparent 2 pcs set | 9100760 |
| LCR Clip transparent with magnet 2 pcs set | 9100761 |

IMPORTANT NOTES

All technical parameters apply to the entire product. Due to the complex manufacturing process of light emitting diodes, the specified typical LED parameters are only purely statistical values and may deviate.

The specified type of use must be strictly adhered to. Deviations may affect the stability of the fixture. Please observe the information in the mounting instructions before using the products.

| | |
|---|--------|
| Mercury content | 0,0 mg |
| Mercury-free | yes |
| Professional disposal according to WEEE | yes |

NOTES TO THE LIFE TIME

Decisive factors for the life time are the ambient temperature and the operating temperature (Tc). Exceeding the permissible limits results in a substantial reduction of the lifetime and can even lead to the destruction of the products. The specified lifetime represents a statistical quantity.

NOTES TO ELECTRICAL AND PHOTOMETRIC DATA

Colour coordinates according to CIE 1931

Rated ambient temperature: $t_a = 25^\circ$

Measuring tolerance colour coordinates (x/y) +/- 0,005

Tolerance range of electrical / photometric data: +/- 10%

DISCLAIMER

Changes and errors excepted. Due to the continuous development of all products, technical and design changes can occur at any time. Make sure that you always use the latest version of the data sheet.

Further product data as well as current information can be found at www.lxpro.pl

5 YEARS
WARRANTY

